



# REPAIR MANUAL ARTICULATED TRUCKS

**327B  
330B  
TIER 3**

**SIMPLEMUX**

ASN HHD03(27)(30)BN\_PG56092~  
HHD03(27)(30)BN\_PG56076~  
84150684 NA

Issued 01 June 08



---

# REPAIR MANUAL

---

ARTICULATED DUMP TRUCKS

**327B & 330B SIMPLEMUX**

---

CNH America LLC reserves the right to make improvements in design or changes in specifications at any time without incurring any obligation to install them on units previously sold.

All data given in this publication is subject to production variations. Dimensions and weights are only approximate. Illustrations do not necessarily show products in standard condition. For exact information about any particular product, please consult your Dealer

Revision History				
Issue	Issue Date	Applicable Machines	Form Number	Remarks
First Edition	06-2008	327B, 330B SIMPLEMENTUM	84150684	84150684 EN

# TABLE OF CONTENTS

	<i>SECTIONS</i>
<b>GENERAL</b> .....	1
<b>ENGINES</b> .....	2
<b>ELECTRICAL</b> .....	4
<b>STEERING</b> .....	5
<b>POWER TRAIN</b> .....	6
<b>BRAKES</b> .....	7
<b>HYDRAULICS</b> .....	8
<b>MOUNTED EQUIPMENT</b> .....	9

**Thanks very much for your reading,  
Want to get more information,  
Please click here, Then get the complete  
manual**

**JustClickHere** 

**NOTE:**

**If there is no response to click on the link above,  
please download the PDF document first, and then  
click on it.**

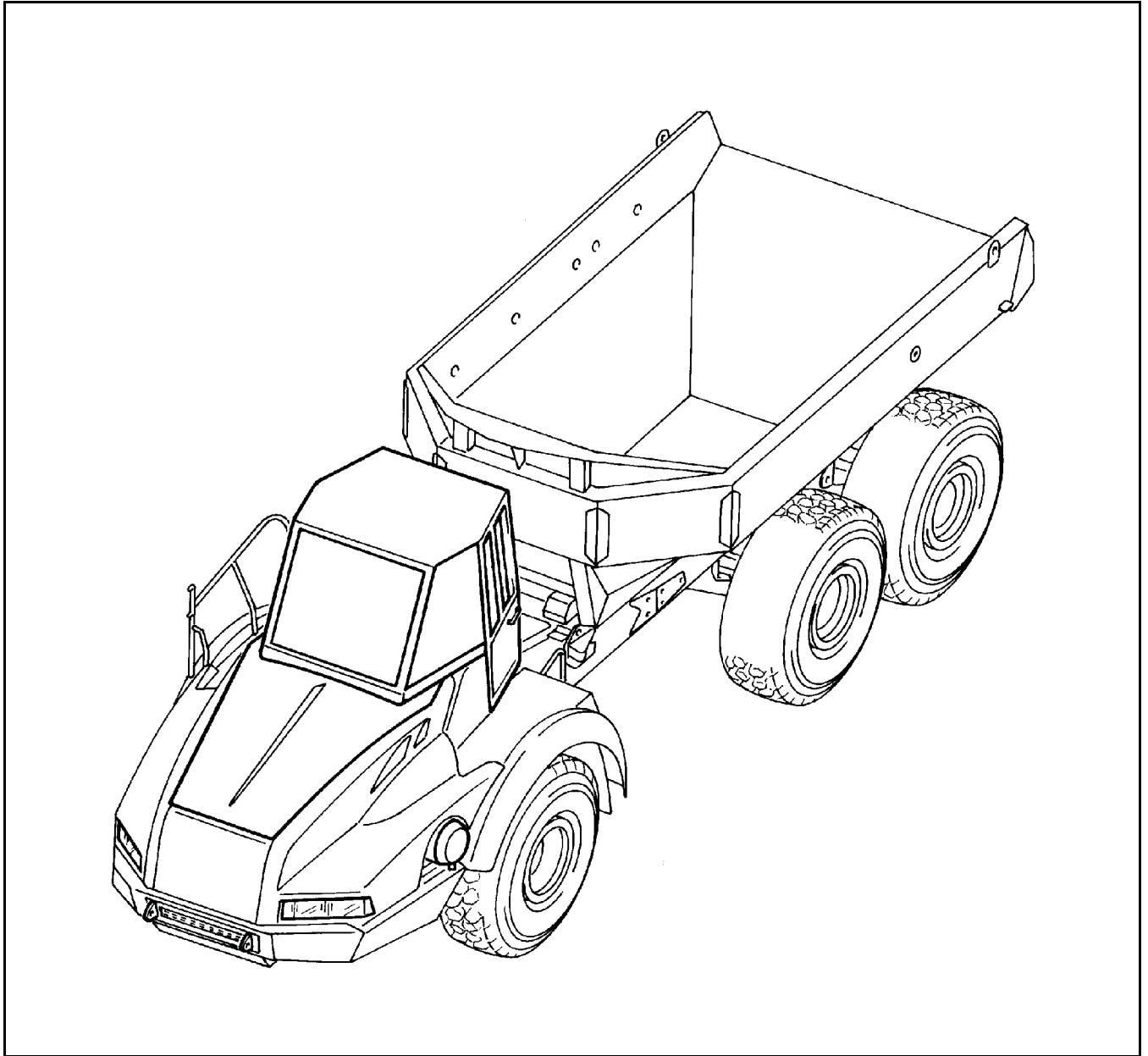
**Have any questions please write to me:  
[admin@servicemanualperfect.com](mailto:admin@servicemanualperfect.com)**

---

---

## 327B AND 330B SIMPLEMENT

### ARTICULATED DUMP TRUCKS SERVICE MANUAL

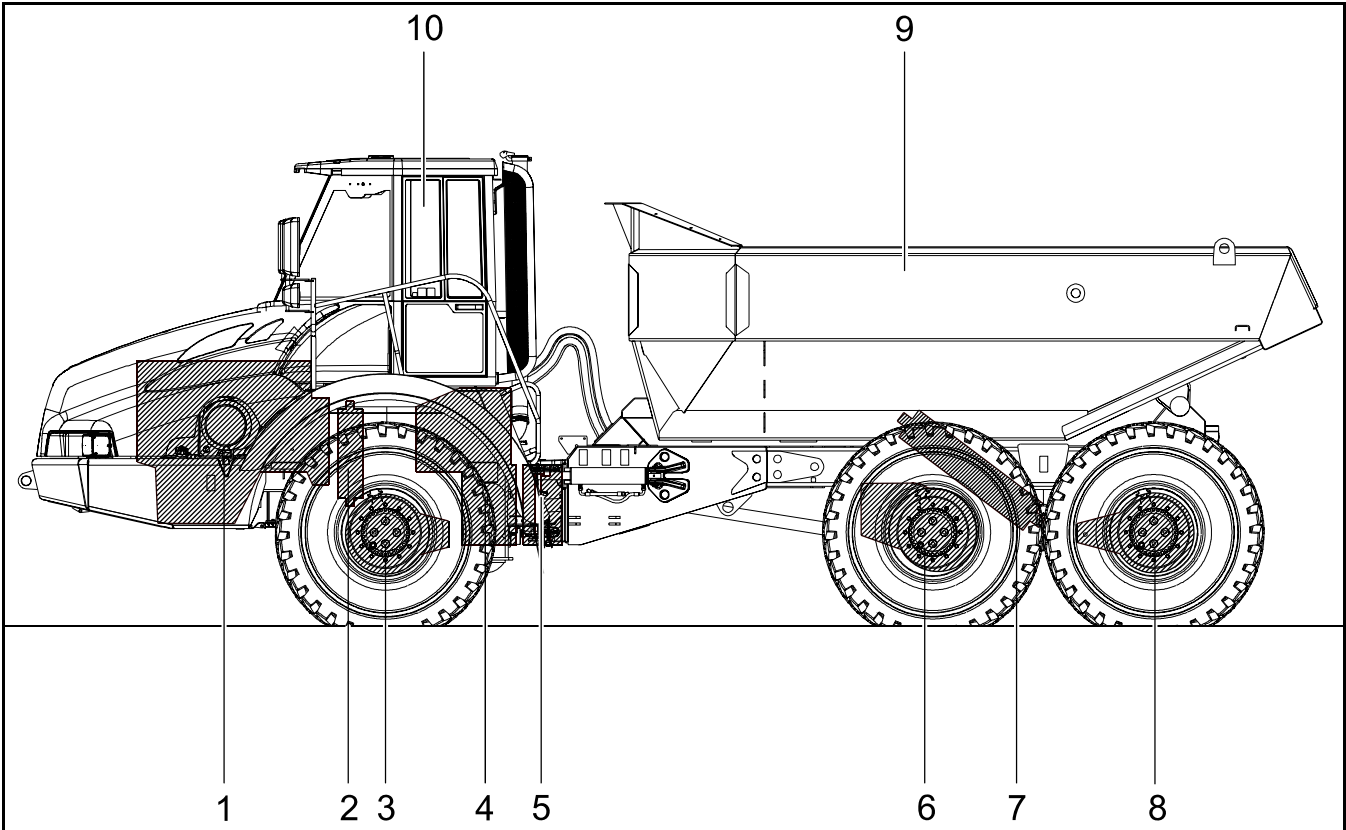


CASE reserves the right to make any changes to the vehicle at any time for technical or commercial reasons. The information, descriptions and illustrations to be found in this publication are updated up to the moment of the approval to press.

Publication no.: 84150684  
First edition: June 2008

Complete or partial copying of the text and illustrations herein is prohibited.

**PARTS**



276RM100

Figure 1

- |                        |                      |
|------------------------|----------------------|
| 1. ENGINE              | 6. INTERMEDIATE AXLE |
| 2. SUSPENSION CYLINDER | 7. DUMPER CYLINDER   |
| 3. FRONT AXLE          | 8. REAR AXLE         |
| 4. TRANSMISSION        | 9. BODY              |
| 5. ARTICULATION JOINT  | 10. CAB              |



---

**Main vehicle assemblies production numbers**

You are advised to make a note of the model and serial number (PN) and/or production code (PIN) of the main vehicle assemblies written on the respective plates applied to the assembly.

The plate location is shown in Section 1, Ch. 2 – TECHNICAL DATA.  
This will ensure faster identification of the parts required for partial or total replacement.

**engine**

---

**automatic transmission**

---

**front hubs**

---

**intermediate axle**

---

**rear axle**

---

**chassis**

---

**cab**

---

**suspension cylinder**

---

**dumper cylinder**

---

**steering cylinders**

---

**hydraulic system pump**

---

**radiator fan system pump**

---

**radiator fan system motor**

---

**flow splitter**

---

**dumper valve**

---

**steering valve**

---

---



---

# REPAIR MANUAL - SECTION 1

---

ARTICULATED DUMP TRUCKS  
327B, 330B SIMPLEMUX

---

## GENERAL

---

SECTION 1 - GENERAL

---

---

CNH America LLC reserves the right to make improvements in design or changes in specifications at any time without incurring any obligation to install them on units previously sold.

All data given in this publication is subject to production variations. Dimensions and weights are only approximate. Illustrations do not necessarily show products in standard condition. For exact information about any particular product, please consult your Dealer

Revision History				
Issue	Issue Date	Applicable Machines	Form Number	Remarks
First Edition	06-2008	327B, 330B SIMPLEMENTUM	84150684	

# SECTION 1 GENERAL

## SECTION TABLE OF CONTENTS

### CHAPTER 1

#### CONDITIONS OF USE AND SAFETY INSTRUCTIONS

TABLE OF CONTENTS .....	1-1
CONDITIONS OF USE .....	1-3
INFORMATION ON THIS HANDBOOK .....	1-3
SCHEDULED USE .....	1-5
WASTE DISPOSAL .....	1-6
WARRANTY AND LIABILITY OF THE MANUFACTURER .....	1-7
GENERAL OPERATION RULES .....	1-8
INTRODUCTION .....	1-14
ROLLOVER ACCIDENTS .....	1-18

### CHAPTER 2

#### TECHNICAL DATA

TABLE OF CONTENTS .....	2-1
VEHICLE COMPOSITION (327B SIMPLEMUX) .....	2-3
DIMENSIONS (EMPTY VEHICLE) .....	2-4
DIMENSIONS WITH BODY RAISED .....	2-5
WEIGHTS .....	2-6
CENTER OF GRAVITY (HORIZONTAL POSITION) .....	2-7
PERFORMANCE .....	2-8
PERFORMANCE ALIGNMENT CHART .....	2-9
MAIN TECHNICAL SPECIFICATIONS .....	2-11
POSITION OF IDENTIFICATION DATA ON MAIN GROUPS .....	2-13
MAIN TECHNICAL SPECIFICATIONS .....	2-15
LIST OF BULBS .....	2-18
CAPACITIES .....	2-19
TYRE PRESSURE TABLE .....	2-20
ANTIFREEZE CONCENTRATION IN ENGINE COOLANT .....	2-20
ANTIFREEZE CONCENTRATION IN WINDSHIELD WASHER FLUID .....	2-20
BATTERY ELECTROLYTE DENSITY TABLE .....	2-20
TIGHTENING TORQUE .....	2-21
PLATES APPLIED TO THE VEHICLE .....	2-22
STANDARD TIGHTENING TORQUES .....	2-32
MEASURES (INTERNATIONAL SYSTEM) .....	2-33
VEHICLE COMPOSITION (330B SIMPLEMUX) .....	2-34
DIMENSIONS (EMPTY VEHICLE) .....	2-35
DIMENSIONS WITH BODY RAISED .....	2-36
WEIGHTS .....	2-37
CENTER OF GRAVITY (HORIZONTAL POSITION) .....	2-38
PERFORMANCE .....	2-39
PERFORMANCE ALIGNMENT CHART .....	2-40
MAIN TECHNICAL SPECIFICATIONS .....	2-42
POSITION OF IDENTIFICATION DATA ON MAIN GROUPS .....	2-44

POSITION OF IDENTIFICATION DATA ON MAIN GROUPS .....	2-43
MAIN TECHNICAL SPECIFICATIONS .....	2-45
LIST OF BULBS .....	2-48
CAPACITIES .....	2-49
TYRE PRESSURE TABLE .....	2-50
ANTIFREEZE CONCENTRATION IN ENGINE COOLANT .....	2-50
ANTIFREEZE CONCENTRATION IN WINDSHIELD WASHER FLUID .....	2-50
BATTERY ELECTROLYTE DENSITY TABLE .....	2-50
TIGHTENING TORQUE .....	2-51
PLATES APPLIED TO THE VEHICLE .....	2-52
.....	2-53
STANDARD TIGHTENING TORQUES .....	2-61
MEASURES (INTERNATIONAL SYSTEM) .....	2-62

## CHAPTER 3

**FAULT CODES**

TABLE OF CONTENTS .....	3-1
MULTIPLEX SYSTEM FAULT CODES .....	3-3
FAULT CHECK USING THE DISPLAY .....	3-3
MULTIPLEX SYSTEM FAULT CODES LIST - SOFTWARE VERSION 3.3.0.0 .....	3-4
ENGINE FAULT CODES .....	3-11
ENGINE CONTROL FAULT CODES LIST .....	3-12
.....	3-23
MULTIPLEX SYSTEM FAULT CODES .....	3-24
MULTIPLEX SYSTEM FAULT CODES LIST .....	3-25
.....	3-39
DIAGNOSTIC CONNECTOR PIN-OUT .....	3-40

CHAPTER 1

**327B, 330B SIMPLEMUX**

**CONDITIONS OF USE AND  
SAFETY INSTRUCTIONS**

SECTION 1 - GENERAL  
CHAPTER 1 -

---

---

CNH America LLC reserves the right to make improvements in design or changes in specifications at any time without incurring any obligation to install them on units previously sold.

All data given in this publication is subject to production variations. Dimensions and weights are only approximate. Illustrations do not necessarily show products in standard condition. For exact information about any particular product, please consult your Dealer

Revision History				
Issue	Issue Date	Applicable Machines	Form Number	Remarks
First Edition	06-2008	327B, 330B SIMPEMUX	84150684	



# CHAPTER 1

## CONDITIONS OF USE AND SAFETY INSTRUCTIONS

### TABLE OF CONTENTS

CONDITIONS OF USE .....	1-3
INFORMATION ON THIS HANDBOOK .....	1-3
Definitions .....	1-3
Contents .....	1-3
Symbols .....	1-3
Purpose of this handbook .....	1-4
To whom this handbook is addressed .....	1-4
Safekeeping of this handbook .....	1-4
Updates to this handbook .....	1-4
Units of measure .....	1-4
SCHEDULED USE .....	1-5
VEHICLE DRIVERS .....	1-5
WASTE DISPOSAL .....	1-6
WARRANTY AND LIABILITY OF THE MANUFACTURER .....	1-7
Warranty conditions .....	1-7
Liability .....	1-7
SERVICE .....	1-7
After sales service .....	1-7
Spare parts .....	1-7
GENERAL OPERATION RULES .....	1-8
Pre-disassembly preparation .....	1-8
During disassembly .....	1-8
Disconnecting hydraulic lines .....	1-9
After disassembly .....	1-9
During assembly .....	1-9
Screw and nut tightening .....	1-10
Connecting hydraulic lines .....	1-10
Interchangeable parts .....	1-11
Welding on the chassis .....	1-13
INTRODUCTION .....	1-14
Safety information and symbols .....	1-14
General instructions .....	1-15
preventing fires .....	1-16
ROLLOVER ACCIDENTS .....	1-18
Prevention .....	1-18
What to do if the vehicle rolls over .....	1-18
Structure of the cab .....	1-19
instructions for use .....	1-20
Cab .....	1-20
Starting and stopping .....	1-21
Driving the vehicle .....	1-22
Working the vehicle .....	1-23
Towing the vehicle .....	1-25
Replacing the wheel .....	1-25
MAINTENANCE .....	1-26
General .....	1-26
Disconnection of the emergency electric power supply .....	1-27
Emergency switch .....	1-28
Safety locks .....	1-29

Preventing injuries .....1-30  
Preventing intoxication and contamination .....1-32  
Preventing burns and electrocution .....1-33

## CONDITIONS OF USE

### INFORMATION ON THIS HANDBOOK

#### Definitions


*Handbook* is this Use and Maintenance Handbook.  
*Vehicle* is the machinery described in this handbook.  
*Manufacturer* is the company manufacturing the vehicle.


*Dealership* is the company or organization officially representing the Manufacturer.

*Supplier* is any company supplying components and/or consumable material used by the vehicle.

*User* is the person directly or indirectly involved in using the vehicle.

#### Contents

 **ATTENTION:** *This handbook contains the use and maintenance instructions for all the vehicle parts envisaged by the manufacturer.*

 **ATTENTION:** *Some devices described in this handbook may not be fitted in your vehicle, according to the outfit and the market for which the vehicle was made.*

This handbook is organized in several sections, which are organized in chapters and, where required, paragraphs to ensure rapid and easy retrieval of information:

#### *Conditions of use*

This section contains information on this USE AND MAINTENANCE HANDBOOK, vehicle use and applications.

#### *Safety instructions*

This section contains information on the safety precautions to be adopted for vehicle use and maintenance.

#### *Use*

This section contains information on the controls and instruments, as well as the main instructions for use, which must be respected at all times, especially when the vehicle is new.

#### *Maintenance*


This section contains the functional instructions for checking and maintaining the vehicle which must be implemented to ensure satisfying operation, cost-effective running and long life of the vehicle.


#### *Technical specifications*


This section contains the characteristic vehicle data.

#### Symbols

You will find the following symbols highlighting parts of the handbook. Their meaning is:

 **WARNING:** *Procedures, technical information and precautions which, if not respected and/or incorrectly carried out, could cause injury to users (safety symbol, see also SAFETY INSTRUCTIONS).*

 **ATTENTION:** *Failure to heed and/or correctly carry out procedures, technical information and precautions given may cause damage to the vehicle.*

 **IMPORTANT:** *Procedures, technical information and precautions which, if not respected and/or incorrectly carried out, could pollute the environment.*

**NOTE:** *Very important procedures, technical information and precautions.*

### **Purpose of this handbook**

Purpose of this handbook is to allow users to get to know the vehicle and use it as specified, in a safe and long-lasting fashion, taking the required actions and arranging human and material resources as needed.

### **To whom this handbook is addressed**

This handbook is addressed to persons who either need to provide instructions or use the vehicle.

These persons are:

- operative units/site/department managers;
- users directly concerned in vehicle use;
- users directly concerned in vehicle maintenance.

### **Safekeeping of this handbook**

This handbook must be kept inside the vehicle, in a dry place, and must be readily available for consultation. You are advised to file a copy.

Keep the handbook for the entire life of the vehicle, until it is scrapped. Users are required to purchase a new copy if the handbook is either lost or damaged. Copies must be exclusively ordered from the manufacturer.

### **Updates to this handbook**

The information, descriptions and illustrations in this handbook reflect the state of the art at the time of marketing of the vehicle.

The manufacturer reserves the right to implement changes to vehicles, for technical or marketing reasons, at any time. The manufacturer will not be obliged either to implement such changes in the vehicles marketed before or to consider this handbook obsolete. Any additional information which the manufacturer may deem suitable to provide at a later time will be kept with the handbook as an integral part of the publication.

### **Units of measure**

International System (SI) units of measure as used in this handbook.

British Units values are expressed in brackets.

## SCHEDULED USE

The vehicle described in this handbook was designed and made for the following use:

- to haul excavation material in general;
- to haul material resulting from interventions on industrial or civilian artefacts in general;
- to haul material required to make infrastructures and/or industrial or civilian artefacts in general.

The vehicle must be used for such purposes.

The vehicle must be in proven and checked conditions of efficiency for said use, fully respecting the envisaged criteria and restrictions of use.

Specific care must be paid to the following aspects:

- do not exceed the payloads specified by the manufacturer;
- do not exceed the gradients specified by the manufacturer;
- do not drive the vehicle on loose terrain which can compromise stability;
- do not use the vehicle to remove objects or products;
- use the vehicle paying special attention to the safety instructions and specifications;
- carry out the ordinary maintenance requirements specified by the manufacturer;
- carry out the extraordinary maintenance requirements which are required, specifically those related to safety of use.

**NOTE:** *The manufacturer declines liability for injury to persons and for damage to the vehicle and/or to the transported goods in the event of other use or use in other conditions than those specified.*

## VEHICLE DRIVERS

The vehicle can be driven exclusively by qualified personnel with the necessary skills and suitable technical knowledge.

Vehicle drivers must:

- have the skills required to drive the vehicle in all environmental and weather conditions;
- be psychologically and physically fit;
- be very responsible and respect the safety instructions.

Vehicle maintenance personnel must:

- have the operative skills required for construction site vehicle maintenance;
- be sensitized to respect and adopt safety instructions and precautions.

Vehicle drivers must be in condition to work in total safety, also by means of suitable training periods or courses, to acquire full knowledge of instructions for vehicle use.

The direct reporting manager must ensure respect of general safety instructions, specifically those contained in this handbook.

The manager will also ascertain suitability of operating personnel, in terms of technical skills and psychological-physical conditions.

## **WASTE DISPOSAL**

Collect and properly dispose of replaced material (brake pads, filters, etc.) and waste material, resulting from maintenance operations and repairs (material soaked in fuel, oil, powder, etc.) according to the laws in force, separately from normal waste.

Collect and dispose of used lubricants and fluids, according to the laws in force.

Collect and dispose of used batteries according to the laws in force.

Drain and recharge the air conditioning system using the specific devices, according to the laws in force.

Furthermore, you are advised to separate ferrous materials, light alloys and waste plastic materials for separate recycling.